

Load Cell

Tension/Compression • Ultra-compact • Small Capacity



LUX-B-ID

- ◆ Ultra-compact construction measures only 26 mm diameter by 26 mm high.
- ◆ Rated capacity is available in 50, 100 or 200 N.
- ◆ Screw-shape load receiving portion facilitates installation to equipment.
- ◆ Connector-equipped design further ensures easy installation without handling the cable together with the load cell.
- ◆ Minimal thermal effects on output.
- ◆ Suitable for measuring and controlling loads applied to small-scale presses and press-fitting devices.

Specifications

Models and Rated Capacities

Model	Rated Capacity	Natural Frequency, Approx.	Spring Constant, Approx.
LUX-B-50N-ID	50 N	8 kHz	2.7 kN/mm
LUX-B-100N-ID	100 N	11 kHz	4.9 kN/mm
LUX-B-200N-ID	200 N	14 kHz	8.2 kN/mm

Common to All Models

Nonlinearity: Within $\pm 0.15\%$ RO

Hysteresis: Within $\pm 0.15\%$ RO

Repeatability: 0.05% RO or less

Rated Output: ± 0.9 mV/V (± 1800 $\mu\text{m/m}$) or more

Safe Temperature Range: -20° to 80°C

Compensated Temperature Range: -10° to 70°C

Temperature Effect on Zero Balance: Within $\pm 0.03\%$ RO/ $^\circ\text{C}$

Temperature Effect on Output: Within $\pm 0.005\%$ / $^\circ\text{C}$

Safe Excitation Voltage: 10 V AC or DC

Recommended Excitation Voltage: 1 to 5 V AC or DC

Input Resistance: $375 \Omega \pm 1.5\%$

Output Resistance: $350 \Omega \pm 1.0\%$

Cable: 6-conductor (0.08 mm^2) chloroprene shielded cable, 4.4 mm diameter by 3 m long, terminated with connector plug to transducer and bared to amplifier

Safe Overload Rating: 150%

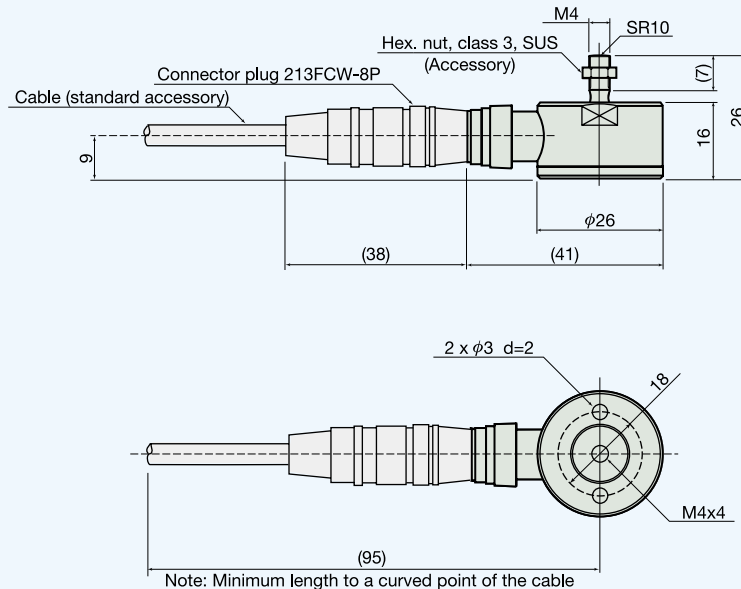
Case Material: SUS

Weight: Approx. 50 g

Protection Rating: IP 67 (watertight type conforming to JIS C 0920)

Sensor ID: TEDS

Dimensions



JQA-0821
JQA-EM4824

Specifications are subject to change without notice for improvement.



Safety precautions

Be sure to observe the safety precautions given in the instruction manual, in order to ensure correct and safe operation.

Reliability through integration

KYOWA

KYOWA ELECTRONIC INSTRUMENTS CO., LTD.

Overseas Department:

2-4-3, Hitotsubashi, Chiyoda-ku, Tokyo 101-0003, Japan

Phone: +81-3-5226-3553 Facsimile: +81-3-5226-3566

<http://www.kyowa-ei.com>

e-mail: overseas@kyowa-ei.co.jp

Cat. No. K-60-B6-E

Manufacturer's Representative

Printed in Japan 08/09