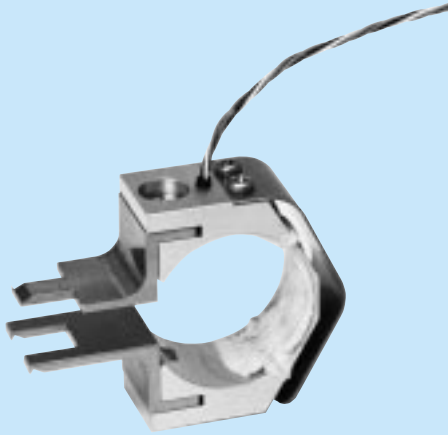


DT-3SD68D

Ultra-low Temperature Clip Gage

● For Ultra-low Temperature ● 3 mm



The ultra-low-temperature clip gage DT-3SD68D is designed for crack displacement measurement of various materials in a temperature range of -269 to 50°C . For measurement, the notches at both tips of the clip are hooked to bezels prepared at both ends of the crack. KYOWA can satisfy requirements for necessary operating temperature, shapes and dimensions. Contact us for details.

Features

- Effective for material testing
- Ultra-low operating temperature range of -269 to 50°C
- Sensor tips are designed in conformity with ASTM Standard.
- Stopper mechanism is provided for easy positioning.

Specifications

Performance

Rated Capacity: 3 mm (bezel distance 2 to 5 mm)
Nonlinearity: Within $\pm 1\%$ RO
Hysteresis: Within $\pm 1\%$ RO
Rated Output: 2 mV/V (4000 $\mu\text{m}/\text{m}$)

Environmental Characteristics

Safe Temperature Range: -269 to 50°C
Temperature Effect on Zero Balance: Within $\pm 0.05\%$ RO/ $^{\circ}\text{C}$
Temperature Effect on Output: Within $\pm 0.05\%$ / $^{\circ}\text{C}$

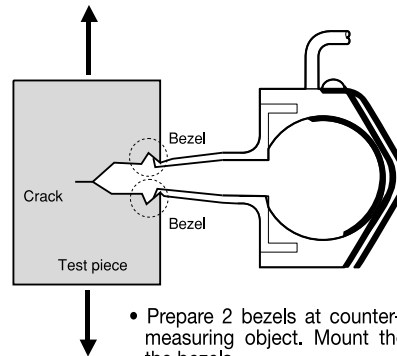
Electrical Characteristics

Safe Excitation Voltage: 3 VAC or DC
Recommended Excitation Voltage: 1 to 2 VAC or DC
Input Resistance: $350\ \Omega \pm 10\%$
Output Resistance: $350\ \Omega \pm 10\%$
Safe Magnetic Field: Approx. 3 T
Cable: 4-conductor (0.03 mm²) fluoroplastic shielded cable, 2 mm diameter by 2 m long, terminated with connector plug (Shield wire is not connected to mainframe.)

Mechanical Properties

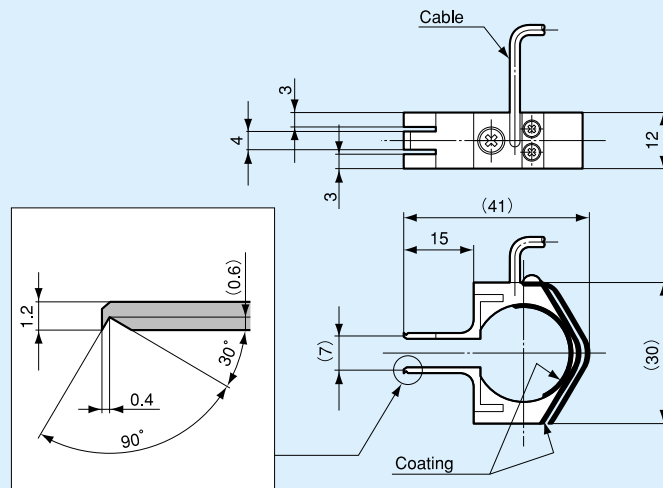
Safe Overload Rating: 120%
Material: Metallic finish
Weight: Approx. 20 g

Typical Application (Material testing in conformity with ASTM)



- Prepare 2 bezels at counter-positions on the measuring object. Mount the DT-3SD68D to the bezels.

Dimensions



Dimensional tolerance conforms to JIS B0405.