

LC-V

Small-Sized Compression Load Cells

● Accuracy: 1/2000 ● 50 to 200 kN



- Steady brace CR is available. (See page 2-17)
- TEDS-installed versions can be manufactured. Inquiries are welcome.

Compact and lightweight design facilitates installation into existing facilities. While accuracy of 1/2000 is ensured, the hermetically-sealed structure with inert gas filled in enables highly stable and reliable measurement. (Patented)

Features

- Compact and lightweight
- Accuracy: 1/2000
- Hermetically sealed structure with inert gas filled in
- Service life: 10 million times or more
- BISELCOM gage is used.

Specifications

Performance

Rated Capacity: See table below.
 Nonlinearity: Within $\pm 0.05\%$ RO
 Hysteresis: Within $\pm 0.05\%$ RO
 Repeatability: 0.03% RO or less
 Rated Output: 2.5 mV/V (5000 $\mu\text{m/m}$) $\pm 0.2\%$

Environmental Characteristics

Safe Temperature Range: -20 to 80°C
 Compensated Temperature Range: -10 to 70°C
 Temperature Effect on Zero Balance: Within $\pm 0.003\%$ RO/ $^\circ\text{C}$
 Temperature Effect on Output: Within $\pm 0.003\%$ / $^\circ\text{C}$

Electrical Characteristics

Safe Excitation Voltage: 20 VAC or DC
 Recommended Excitation Voltage: 1 to 10 VAC or DC
 Input Resistance: $350 \Omega \pm 0.5\%$
 Output Resistance: $350 \Omega \pm 0.5\%$
 Cable: 4-conductor (0.5 mm^2) chloroprene shielded cable, 8.5 mm diameter by 5 m long, with press-fit terminal for 4 mm (Shield wire is not connected to mainframe.)

Mechanical Properties

Safe Overload Rating: 150%
 Natural Frequency:

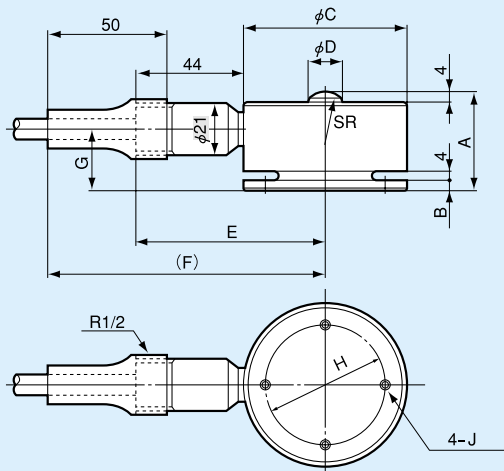
Model	Natural Frequency (Approx.)
LC-5TV	17 kHz
LC-10TV	16 kHz
LC-20TV	15 kHz

Weight: See table below.

Protection Rating: IP67

(Watertight type conforming to JIS C 0920)

Dimensions



Model	Rated Capacity	A	B	ϕC	ϕD	E	(F)	G	H	J	SR	Weight (Approx.)
LC-5TV	50 kN	40	4	68	14	78	114	25	50	M5	40	1.0 kg
LC-10TV	100 kN	45	5	78	20	83	119	29	60	M6	70	1.3 kg
LC-20TV	200 kN	55	6	98	26	93	129	36	80	M8	120	3.1 kg