

# LC-E

## General-Purpose Compression Load Cells

● Large Capacity ● 2 & 5 MN



Built to order



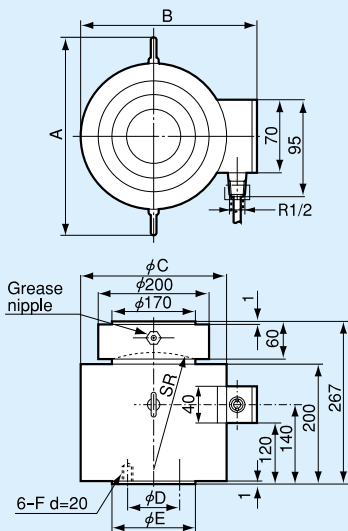
- Watertight type (JIS C 0920) is also available.
- TEDS-installed versions can be manufactured. Inquiries are welcome.

Inert gas is filled in the detector portion, thereby preventing aging deterioration and ensuring reliable, stable operation.

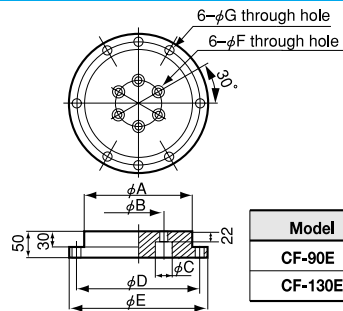
### Features

- High stability
- Hermetically-sealed structure with inert gas filled in

### Dimensions



### Dimensions of Mount Base



### Specifications

#### Performance

- Rated Capacity: See table below.
- Nonlinearity: Within  $\pm 0.5\%$  RO
- Hysteresis: Within  $\pm 0.2\%$  RO
- Repeatability: 0.1% RO or less
- Rated Output: 2 mV/V (4000  $\mu\text{m/m}$ )  $\pm 1\%$

#### Environmental Characteristics

- Safe Temperature Range:  $-30$  to  $85^\circ\text{C}$
- Compensated Temperature Range:  $-10$  to  $70^\circ\text{C}$
- Temperature Effect on Zero Balance: Within  $\pm 0.005\%$  RO/ $^\circ\text{C}$
- Temperature Effect on Output: Within  $\pm 0.005\%$ / $^\circ\text{C}$

#### Electrical Characteristics

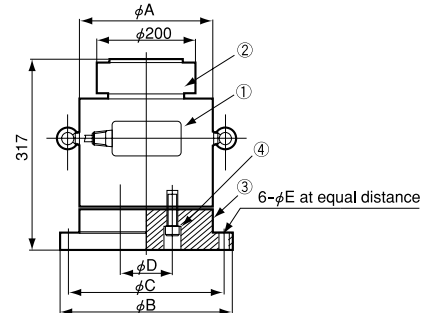
- Safe Excitation Voltage: 20 VAC or DC
- Recommended Excitation Voltage: 1 to 10 VAC or DC
- Input Resistance:  $350 \Omega \pm 0.5\%$
- Output Resistance:  $350 \Omega \pm 0.5\%$
- Cable: 4-conductor (0.3  $\text{mm}^2$ ) chloroprene shielded cable, 7.6 mm diameter by 5 m long, terminated with connector plug (Shield wire is connected to mainframe.)

#### Mechanical Properties

- Safe Overload Rating: 150%
- Natural Frequency: See table below.
- Weight: See table below.

### Dimensions in Combination with Accessories

#### Combination with Saddle CA and Mount base CF



① Load Cell	② Saddle	③ Mount Base	④ Bolt*	$\phi A$	$\phi B$	$\phi C$	$\phi D$	$\phi E$
LC-200TE	CA-200B	CF-90E	6-M14 L=40	210	268	240	90	18
LC-500TE	CA-500B	CF-130E	6-M16 L=40	240	318	279	130	22

\*Hexagon socket head bolts attached to the mount base.

Model	Applicable Load Cell	$\phi A$	$\phi B$	$\phi C$	$\phi D$	$\phi E$	$\phi F$	$\phi G$
CF-90E	LC-200TE	210	90	23	240	268	16	18
CF-130E	LC-500TE	240	130	26	279	318	18	22

Model	Rated Capacity	Natural Frequency (Approx.)	A	B	$\phi C$	$\phi D$	$\phi E$	F	SR	Weight (Approx.)
LC-200TE	2 MN	3.5 kHz	310	246	210	90	135	M14	180	49 kg
LC-500TE	5 MN	4 kHz	340	277	240	130	170	M16	230	65 kg

Note: Saddle CA-B is included in standard accessories.  
Watertight model conforming to JIS C 0920 can be manufactured. Inquiries are welcome.