


LC-J

Corrosion-Resistant Compression Load Cells

● Stainless Steel ● 5 to 200 kN

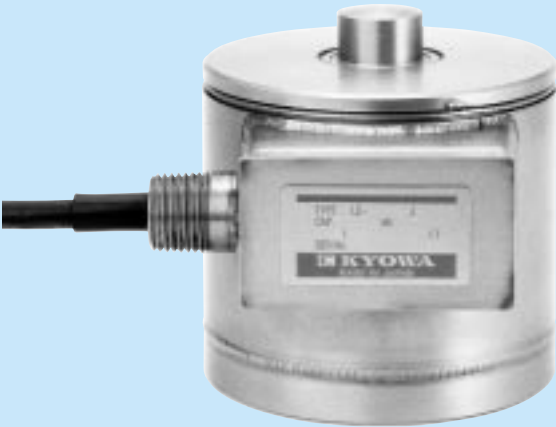
2

TRANSDUCERS



Safe Overload
400%

Built to order



• TEDS-installed versions can be manufactured. Inquiries are welcome.

The hermetically-sealed stainless steel structure with inert gas filled in enables use for weighing in food processing or where they are exposed to corrosive liquids or gases. The high overload rating minimizes the ratio of break-down due to overload.

Features

- Corrosion-resistant
- Hermetically-sealed structure with inert gas filled in
- High overload rating of 400%

Specifications

Performance

Rated Capacity: See table below.
 Nonlinearity: Within $\pm 0.5\%$ RO
 Hysteresis: Within $\pm 0.5\%$ RO
 Repeatability: 0.1% RO or less
 Rated Output: 1 mV/V (2000 $\mu\text{m/m}$) $\pm 0.2\%$

Environmental Characteristics

Safe Temperature Range: -35 to 80°C
 Compensated Temperature Range: -10 to 70°C
 Temperature Effect on Zero Balance: Within $\pm 0.005\%$ RO/ $^\circ\text{C}$
 Temperature Effect on Output: Within $\pm 0.005\%$ / $^\circ\text{C}$

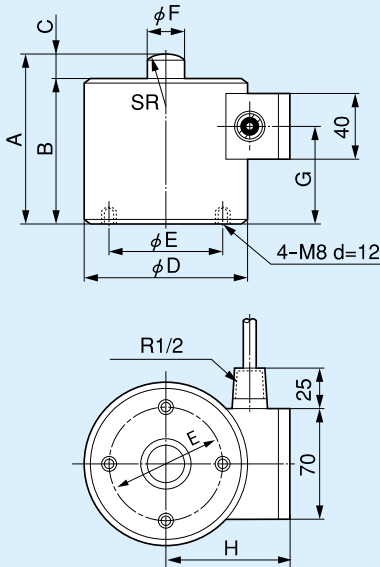
Electrical Characteristics

Safe Excitation Voltage: 20 VAC or DC
 Recommended Excitation Voltage: 1 to 12 VAC or DC
 Input Resistance: $350 \Omega \pm 0.5\%$
 Output Resistance: $350 \Omega \pm 0.5\%$
 Cable: 4-conductor (0.3 mm²) chloroprene shielded cable, 7.6 mm diameter by 5 m long, terminated with connector plug (Shield wire is connected to mainframe.)

Mechanical Properties

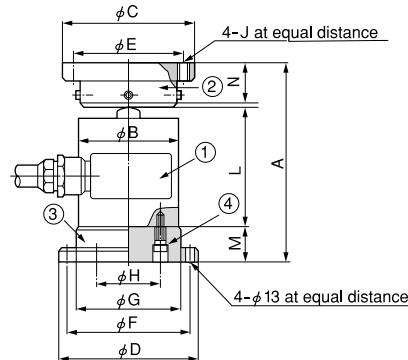
Safe Overload Rating: 400%
 Natural Frequency: See table below.
 Weight: See table below.

Dimensions



Dimensions in Combination with Accessories

In Combination with Movable Saddle ER and Mount Base CF



① Load Cell	② Movable Saddle	③ Mount Base	④ Bolt*	A	φ B	φ C	φ D	φ E	φ F	φ G	φ H	J	L	M	N
LC-500KJ	ER-1D	CF-80C	M8 L=25	182	100	138	148	118	124	100	80	M12	103	40	40
LC-1TJ	ER-5D	CF-80C	M8 L=25	192	100	148	148	128	124	100	80	M12	103	40	50
LC-2TJ				202	100	178	148	158	124	100	80	M12	103	40	60
LC-5TJ	ER-10D	CF-80C	M8 L=25	202	100	178	148	158	124	100	80	M12	103	40	60
LC-10TJ	ER-20D	CF-90C	M8 L=30	238	120	198	168	178	144	120	90	M12	110	50	80
LC-20TJ	—	CF-90C	M8 L=35	—	120	—	168	—	144	120	90	—	135	50	—

*Hexagon socket head bolts attached to the mount base for its connection to load cell.

Model	Rated Capacity	Natural Frequency (Approx.)	A	B	C	φ D	E	φ F	G	H	SR	Weight (Approx.)	Saddle	
LC-500KJ	5 kN	5.2 kHz	103	90	13	100	80	24	60	77	50	3.6 kg	CA-1C	
LC-1TJ	10 kN	6 kHz	103	90	13	100	80	24	60	77	70		3.6 kg	CA-10C
LC-2TJ	20 kN	5.8 kHz												
LC-5TJ	50 kN	5.7 kHz	110	95	15	120	90	36	60	90	100	5.6 kg	CA-50C	
LC-10TJ	100 kN	5.5 kHz												
LC-20TJ	200 kN	6 kHz												