

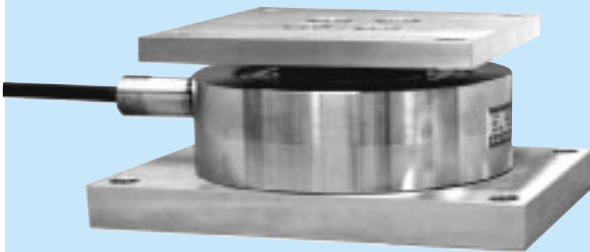
LCTS-B

Stainless Steel Load Cells

● Stainless Steel ● 5 to 100 kN



NEW



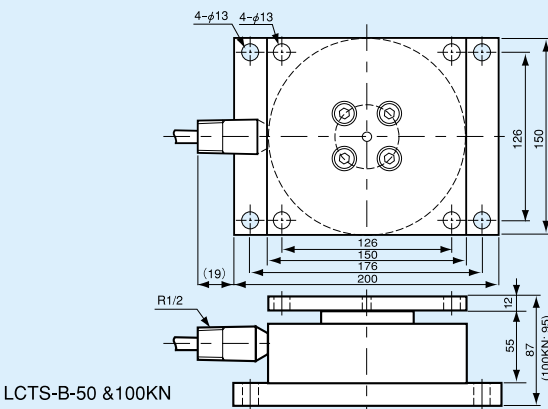
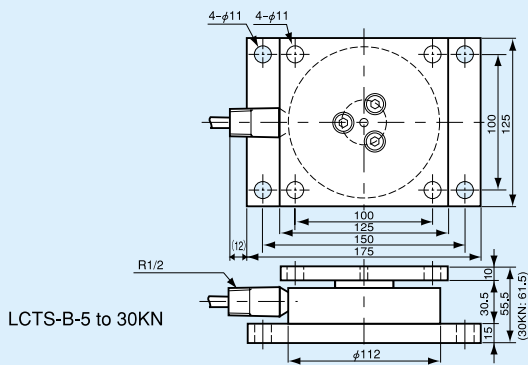
- TEDS-installed versions can be manufactured. Inquiries are welcome.

Developed for weighing hoppers and tanks, LCTS-B series is stainless steel compression load cells with built-in steady brace mechanism.

Features

- Stainless steel structure enables use under conditions where the load cell is exposed to moisture and corrosive gases.
- "Thin" and "top and bottom plates integrated" design facilitates installation to hopper brackets or tank's feet.
- Hermetically-sealed structure (protection rating IP67)
- Built-in steady brace mechanism makes LCTS-B suitable for weighing stirring tanks or tanks with feet, while simplifying peripheral facilities by eliminating check rod, etc.
- Since the load cell can be fixed with bolts, dropping or floating of the load cell can be prevented.

Dimensions



Specifications

Performance

- Rated Capacity: See table below.
- Nonlinearity: Within $\pm 0.05\%$ RO
- Hysteresis: Within $\pm 0.05\%$ RO
- Repeatability: 0.02% RO or less
- Rated Output: 2 mV/V (4000 $\mu\text{m/m}$) $\pm 0.1\%$

Environmental Characteristics

- Safe Temperature Range: -20 to 70°C
- Compensated Temperature Range: -10 to 60°C
- Temperature Effect on Zero Balance: Within $\pm 0.003\%$ RO/ $^\circ\text{C}$
- Temperature Effect on Output: Within $\pm 0.003\%$ / $^\circ\text{C}$

Electrical Characteristics

- Safe Excitation Voltage: 20 VAC or DC
- Recommended Excitation Voltage: 1 to 10 VAC or DC
- Input Resistance: $700 \Omega \pm 0.7\%$
- Output Resistance: $700 \Omega \pm 0.7\%$
- Cable: 4-conductor (0.3 mm²) chloroprene shielded cable, 7.6 mm diameter by 5 m long (10 m long with 50 and 100KN), bared at the tip (Shield wire is not connecte to mainframe)

Mechanical Properties

- Safe Overload Rating: 150%
- Critical Lateral Load: 10 kN (30 kN with 50 and 100KN)
(Maximum load which does not cause any mechanical damage)
- Weight: See table below.
- Material: Stainless steel alloy
- Protection Rating: IP67
(Watertight type conforming to JIS C 0920)

Model	Rated Capacity	Weight (Approx.)
LCTS-B-5KN	5 kN	5 kg
LCTS-B-10KN	10 kN	
LCTS-B-20KN	20 kN	
LCTS-B-30KN	30 kN	6 kg
LCTS-B-50KN	50 kN	11 kg
LCTS-B-100KN	100 kN	13 kg

To Ensure Safe Usage

Accessories to Load Cell

Do not disassemble or remodel accessories such as top plate and mounting plate designed for installation of LCTS-B series load cells.

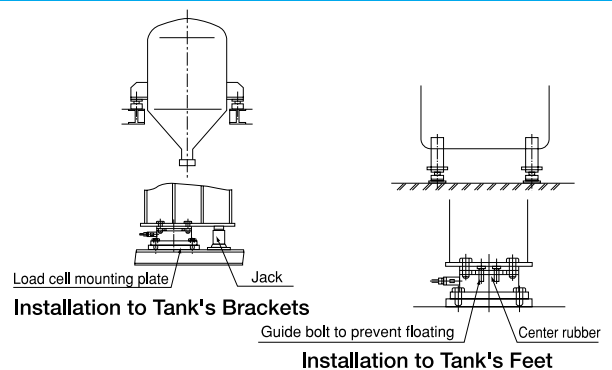
Installation of Floating Prevention Stopper

Install the hazard prevention stopper when using in an environment where the load cell may be damaged or the hopper or tank may overturn due to lateral load or lateral displacement caused by thermal expansion of structure or vibration of stirrer.

Precautions

1. LCTS-B cannot be used for any onboard measurement.
2. LCTS-B cannot be used in an environment where it is frequently exposed to lateral load.
3. LCTS-B cannot be installed to any inclined or vertical surface.

Installation Examples



2

TRANSDUCERS