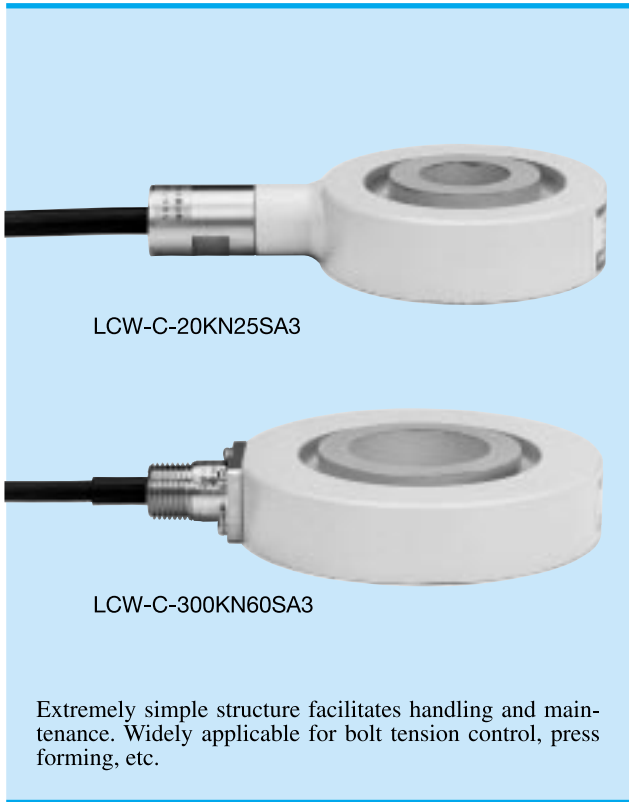


LCW-C-SA3

Washer-Type Load Cells

● For Press Forming ● 10 to 300 kN



Extremely simple structure facilitates handling and maintenance. Widely applicable for bolt tension control, press forming, etc.

Features

- Thin
- High stability
- Wide range of rated capacities

Specifications

Performance

Rated Capacity: See table below.
 Nonlinearity: Within $\pm 1\%$ RO
 Hysteresis: Within $\pm 1\%$ RO
 Rated Output: Approx. 1 mV/V (2000 $\mu\text{m/m}$)

Environmental Characteristics

Safe Temperature Range: -35 to 80°C
 Compensated Temperature Range: -10 to 70°C
 Temperature Effect on Zero Balance: Within $\pm 0.01\%$ RO/ $^\circ\text{C}$
 Temperature Effect on Output: Within $\pm 0.01\%$ / $^\circ\text{C}$

Electrical Characteristics

Safe Excitation Voltage: 15 VAC or DC
 Recommended Excitation Voltage: 1 to 10 VAC or DC
 Input Resistance: $350 \Omega \pm 1\%$
 Output Resistance: $350 \Omega \pm 1\%$
 Cable: 4-conductor (0.3 mm²) chloroprene shielded cable, 7.6 mm diameter by 5 m long, bared at the tip (Shield wire is not connected to mainframe.)

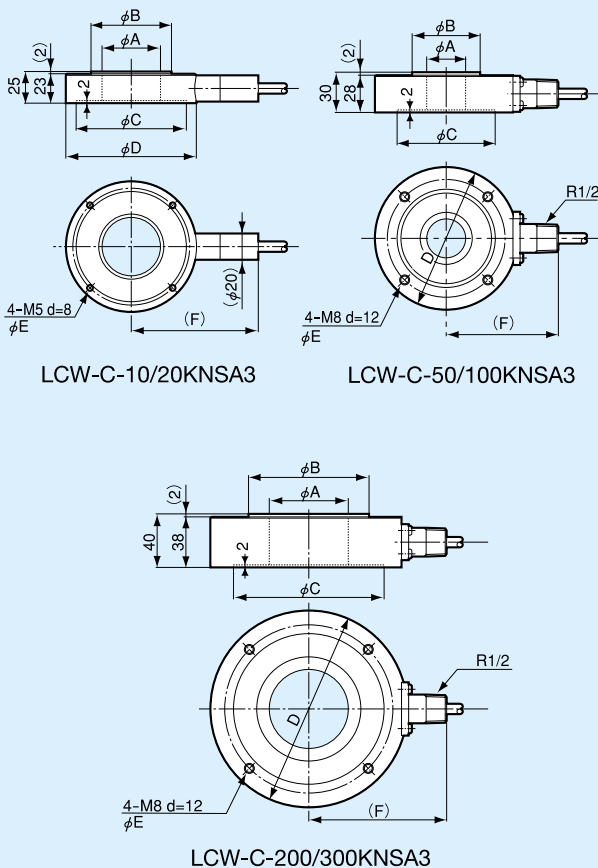
Mechanical Properties

Safe Overload Rating: 150%
 Weight: See table below.

2

TRANSducers

Dimensions



| Model | Rated Capacity | ϕA | ϕB | ϕC | D | ϕE | (F) | Weight (Approx.) |
|-------------------|----------------|----------|----------|----------|-----|----------|--------|------------------|
| LCW-C-10KN25SA3 | 10 kN | 25 | 42 | 64 | 80 | 70 | 87 | 0.6 kg |
| LCW-C-10KN35SA3 | | 35 | 52 | 74 | 90 | 80 | 92 | 0.7 kg |
| LCW-C-10KN45SA3 | | 45 | 62 | 84 | 100 | 90 | 97 | 0.8 kg |
| LCW-C-10KN55SA3 | | 55 | 72 | 94 | 110 | 100 | 102 | 0.9 kg |
| LCW-C-10KN65SA3 | | 65 | 82 | 104 | 120 | 110 | 107 | 1.0 kg |
| LCW-C-20KN25SA3 | 20 kN | 25 | 42 | 64 | 80 | 70 | 87 | 0.6 kg |
| LCW-C-20KN35SA3 | | 35 | 52 | 74 | 90 | 80 | 92 | 0.7 kg |
| LCW-C-20KN45SA3 | | 45 | 62 | 84 | 100 | 90 | 97 | 0.8 kg |
| LCW-C-20KN55SA3 | | 55 | 72 | 94 | 110 | 100 | 102 | 0.9 kg |
| LCW-C-20KN65SA3 | | 65 | 82 | 104 | 120 | 110 | 107 | 1.0 kg |
| LCW-C-50KN30SA3 | 50 kN | 30 | 52 | 74 | 108 | 90 | 85 | 1.7 kg |
| LCW-C-50KN40SA3 | | 40 | 62 | 84 | 118 | 100 | 90 | 1.9 kg |
| LCW-C-50KN50SA3 | | 50 | 72 | 94 | 128 | 110 | 95 | 2.1 kg |
| LCW-C-50KN60SA3 | | 60 | 82 | 104 | 138 | 120 | 100 | 2.3 kg |
| LCW-C-50KN70SA3 | | 70 | 92 | 114 | 148 | 130 | 105 | 2.5 kg |
| LCW-C-50KN80SA3 | 80 | 102 | 124 | 158 | 140 | 110 | 2.7 kg | |
| LCW-C-100KN30SA3 | 100 kN | 30 | 52 | 74 | 108 | 90 | 85 | 1.7 kg |
| LCW-C-100KN40SA3 | | 40 | 62 | 84 | 118 | 100 | 90 | 1.9 kg |
| LCW-C-100KN50SA3 | | 50 | 72 | 94 | 128 | 110 | 95 | 2.1 kg |
| LCW-C-100KN60SA3 | | 60 | 82 | 104 | 138 | 120 | 100 | 2.3 kg |
| LCW-C-100KN70SA3 | | 70 | 92 | 114 | 148 | 130 | 105 | 2.5 kg |
| LCW-C-100KN80SA3 | 80 | 102 | 124 | 158 | 140 | 110 | 2.7 kg | |
| LCW-C-200KN60SA3 | 200 kN | 60 | 92 | 114 | 148 | 130 | 105 | 3.7 kg |
| LCW-C-200KN70SA3 | | 70 | 102 | 124 | 158 | 140 | 110 | 4.1 kg |
| LCW-C-200KN80SA3 | | 80 | 112 | 134 | 168 | 150 | 115 | 4.4 kg |
| LCW-C-200KN90SA3 | | 90 | 122 | 144 | 178 | 160 | 121 | 4.8 kg |
| LCW-C-200KN100SA3 | | 100 | 132 | 154 | 188 | 170 | 126 | 5.1 kg |
| LCW-C-300KN60SA3 | 300 kN | 60 | 92 | 114 | 148 | 130 | 105 | 3.7 kg |
| LCW-C-300KN70SA3 | | 70 | 102 | 124 | 158 | 140 | 110 | 4.1 kg |
| LCW-C-300KN80SA3 | | 80 | 112 | 134 | 168 | 150 | 115 | 4.4 kg |
| LCW-C-300KN90SA3 | | 90 | 122 | 144 | 178 | 160 | 121 | 4.8 kg |
| LCW-C-300KN100SA3 | | 100 | 132 | 154 | 188 | 170 | 126 | 5.1 kg |