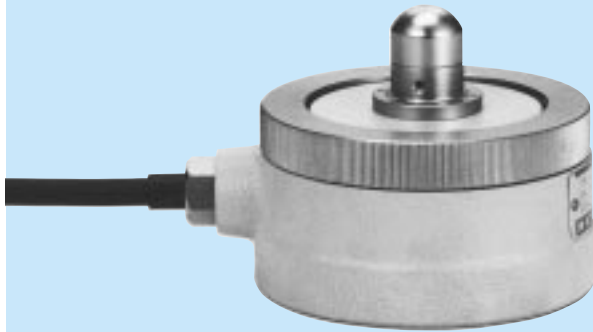


LU-A

Small-Capacity Tension/Compression Load Cells

● Straight Beam System ● 50 to 200 N



- TEDS-installed versions can be manufactured. Inquiries are welcome.

A straight beam is used for the strain column to enable highly accurate measurement of small loads.

Features

- Small capacity
- High sensitivity

Specifications

Performance

Rated Capacity: See table below.
Nonlinearity: Within $\pm 0.3\%$ RO
Hysteresis: Within $\pm 0.2\%$ RO
Repeatability: 0.2% RO or less
Rated Output: 1.5 mV/V (3000 $\mu\text{m/m}$) $\pm 0.5\%$

Environmental Characteristics

Safe Temperature Range: -20 to 75°C
Compensated Temperature Range: -10 to 65°C
Temperature Effect on Zero Balance: Within $\pm 0.01\%$ RO/ $^\circ\text{C}$
Temperature Effect on Output: Within $\pm 0.01\%$ / $^\circ\text{C}$

Electrical Characteristics

Safe Excitation Voltage: 15 VAC or DC
Recommended Excitation Voltage: 1 to 10 VAC or DC
Input Resistance: $350 \Omega \pm 0.5\%$
Output Resistance: $350 \Omega \pm 0.5\%$
Cable: 4-conductor (0.3 mm²) chloroprene shielded cable, 7.6 mm diameter by 5 m long, with connector plug (Shield wire is connected to mainframe.)

Mechanical Properties

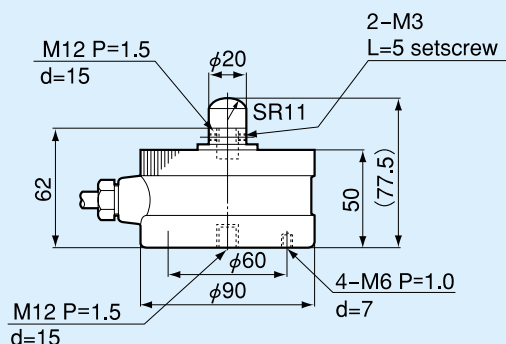
Safe Overload Rating: 120%
Natural Frequency: See table below.
Weight: Approx. 2.3 kg

Model	Rated Capacity	Natural Frequency (Approx.)
LU-5KA	± 50 N	200 Hz
LU-10KA	± 100 N	330 Hz
LU-20KA	± 200 N	500 Hz

2

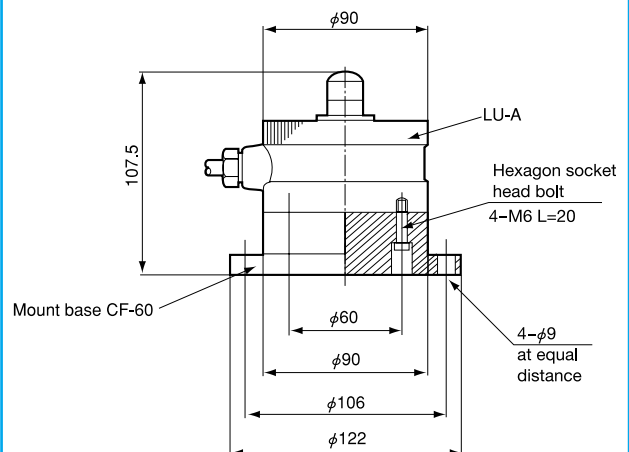
TRANSducers

Dimensions



Dimensions in Combination with Mount Base

In Combination with Mount Base CF-60



Hexagon socket head bolts for connection between load cell and mount base are standard accessories to mount base.