

# LUB-C

## Beam-Type Load Cells

● Accuracy: 1/2000 ● 1 to 50 kN



LUB-100 and 200KC



LUB-500KC to 5TC

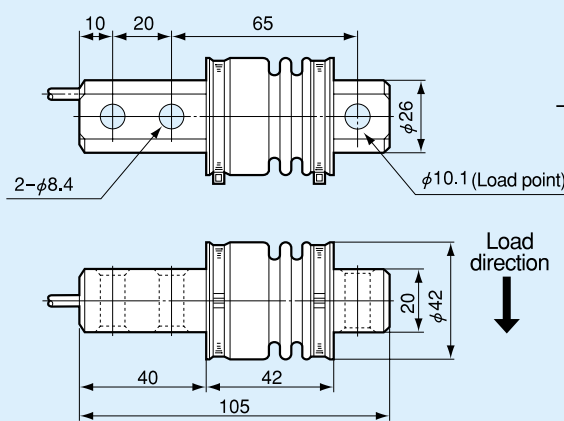
- TEDS-installed versions can be manufactured. Inquiries are welcome.

Developed as OEM-oriented industrial beam-type load cells with accuracy of 1/2000. As load detectors, LUB-C series enables configuration of accurate and stable weighing systems for conveyors and tanks.

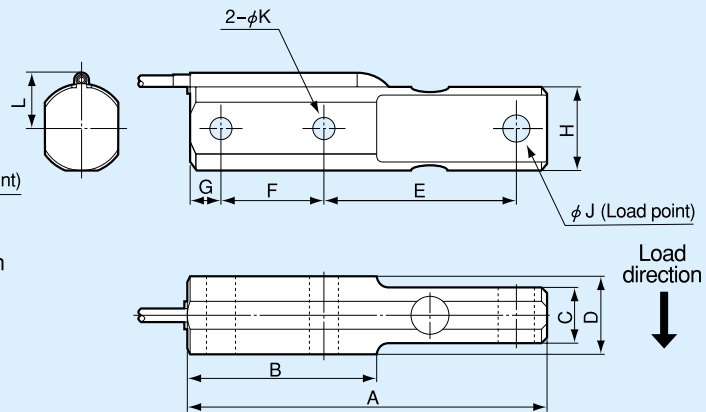
### Features

- Low price
- Compact and lightweight
- Accuracy: 1/2000

### Dimensions



LUB-100 and 200KC



LUB-500KC to 5TC

### Specifications

#### Performance

Rated Capacity: See table below.  
 Nonlinearity: Within  $\pm 0.05\%$  RO  
 Hysteresis: Within  $\pm 0.05\%$  RO  
 Repeatability: 0.03% RO or less  
 Rated Output: 2 mV/V (4000  $\mu\text{m/m}$ )  $\pm 0.5\%$

#### Environmental Characteristics

Safe Temperature Range:  $-20$  to  $70^\circ\text{C}$   
 Compensated Temperature Range:  $-10$  to  $60^\circ\text{C}$   
 Temperature Effect on Zero Balance: Within  $\pm 0.003\%$  RO/ $^\circ\text{C}$   
 Temperature Effect on Output: Within  $\pm 0.003\%$ / $^\circ\text{C}$

#### Electrical Characteristics

Safe Excitation Voltage: 20 VAC or DC  
 Recommended Excitation Voltage: 1 to 12 VAC or DC  
 Input Resistance:  $370 \Omega \pm 20 \Omega$   
 Output Resistance:  $350 \Omega \pm 2 \Omega$   
 Cable: 4-conductor chloroprene shielded cable, bared at the tip

Model	Length	Conductor Cross Section	Diameter
LUB-100/200KC	1 m	0.08 mm <sup>2</sup>	4 mm
LUB-500KC to 2TC	2 m	0.14 mm <sup>2</sup>	6 mm
LUB-5TC	2 m	0.3 mm <sup>2</sup>	8 mm

(Shield wire is not connected to mainframe.)

#### Mechanical Properties

Safe Overload Rating: 150%  
 Natural Frequency: See table below.  
 Weight: See table below.

Model	Rated Capacity	Natural Frequency (Approx.)	A	B	C	D	E	F	G	H	$\phi J$	$\phi K$	L	Weight (App.) including cable	Patch	Spacer	Hanger
LUB-100KC	1 kN	1 kHz	See the above dimensional drawing.											320 g	CW-02	LE-02	TW-02
LUB-200KC	2 kN	1.3 kHz															
LUB-500KC	5 kN	1.3 kHz	174	88	23.4	35	95	50	14	38	16.1	14	27	1.3 kg	CW-1	LE-1	TW-1
LUB-1TC	10 kN	2 kHz	174	88	25.8	35	95	50	14	38	16.1	14	27	2.7 kg	CW-2	LE-2	TW-2
LUB-2TC	20 kN	1.3 kHz	206	106	32.6	44	110	60	16	53	20.2	18	34	5.7 kg	CW-5	—	—
LUB-5TC	50 kN	—	292	150	44	58	160	80	25	69	28.2	24	44				