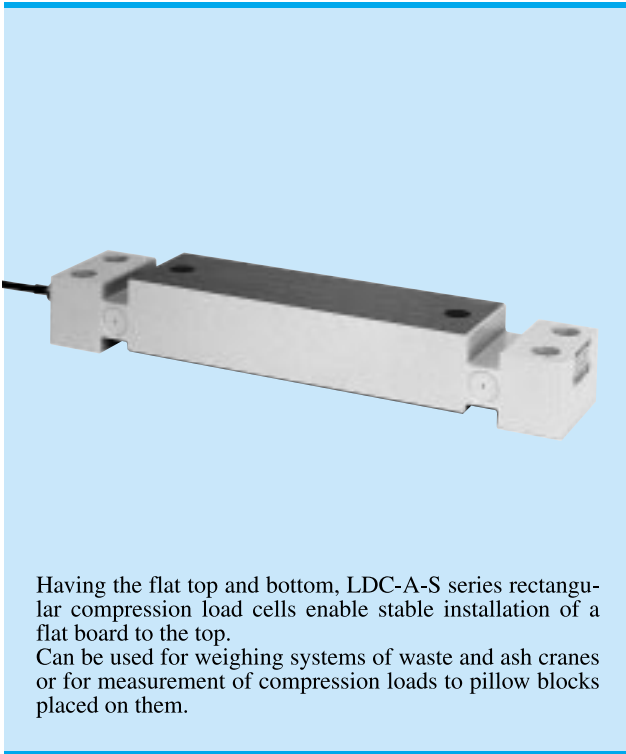


# LCD-A-S1 to S9

Rectangular Load Cells

● For Measurement of Loads to Pillow Block ● 30 to 100 kN



Having the flat top and bottom, LDC-A-S series rectangular compression load cells enable stable installation of a flat board to the top. Can be used for weighing systems of waste and ash cranes or for measurement of compression loads to pillow blocks placed on them.

## Features

- Flat load-receiving part
- Hermetically-sealed structure

## Specifications

### Performance

Rated Capacity: See table below.  
 Nonlinearity: Within  $\pm 1\%$  RO  
 Hysteresis: Within  $\pm 1\%$  RO  
 Rated Output: Approx. 1 mV/V (2000  $\mu\text{m/m}$ ) or more

### Environmental Characteristics

Safe Temperature Range:  $-20$  to  $80^\circ\text{C}$   
 Compensated Temperature Range:  $-10$  to  $70^\circ\text{C}$   
 Temperature Effect on Zero Balance: Within  $\pm 0.01\%$  RO/ $^\circ\text{C}$   
 Temperature Effect on Output: Within  $\pm 0.01\%$ / $^\circ\text{C}$

### Electrical Characteristics

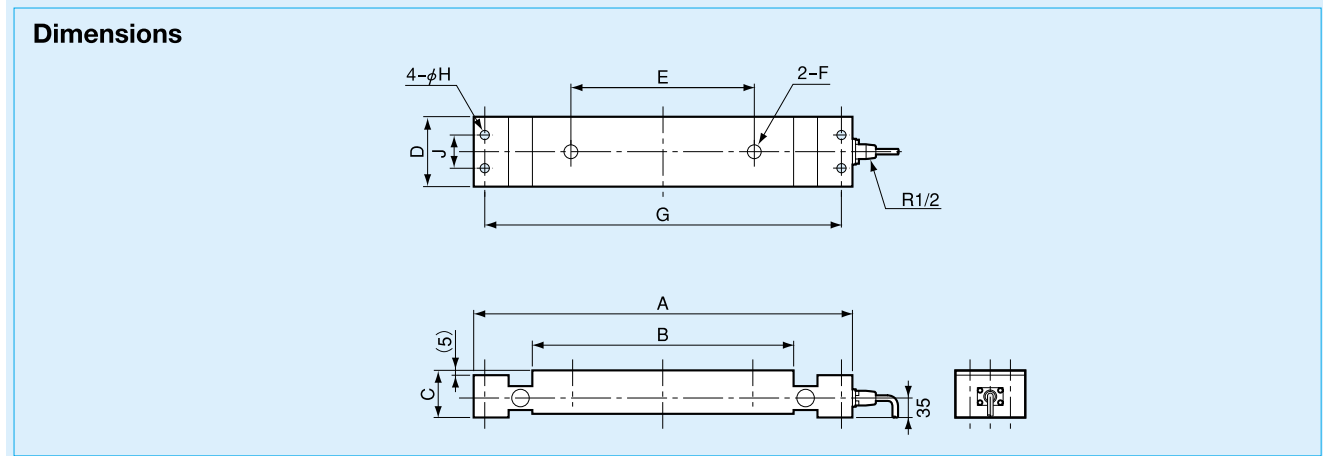
Safe Excitation Voltage: 15 VAC or DC  
 Recommended Excitation Voltage: 1 to 10 VAC or DC  
 Input Resistance:  $350 \Omega \pm 5\%$   
 Output Resistance:  $350 \Omega \pm 5\%$   
 Cable: 4-conductor (0.75 mm<sup>2</sup>) fluonlex shielded cable, approx. 8 mm diameter by 10 m long, bared at the tip (Shield wire is not connected to mainframe.)

### Mechanical Properties

Safe Overload Rating: 150%  
 Weight: See table below.  
 Protection Rating: IP64  
 (Splashproof type conforming to JIS C 0920)

## To Ensure Safe Usage

Take care that there is no foreign matter on the top and bottom of the load cell and the surface of mounting board.



Model	Rated Capacity	A	B	C	D	E	F	G	H	J	Weight (Approx.)
LCD-A-30KNS1	30 kN	520	340	70	95	280	M22 d=30	484	14	50	22 kg
LCD-A-30KNS2		580	400	70	105	280	M22 d=30	544	14	50	28 kg
LCD-A-30KNS3		580	400	70	105	330	M27 d=35	544	14	50	28 kg
LCD-A-50KNS4	50 kN	610	430	80	105	280	M22 d=30	574	14	50	35 kg
LCD-A-50KNS5		580	400	80	105	330	M27 d=35	540	26	60	33 kg
LCD-A-50KNS6		610	430	80	105	360	M27 d=35	550	26	60	35 kg
LCD-A-50KNS7		690	510	80	105	410	M30 d=35	626	26	50	40 kg
LCD-A-100KNS8	100 kN	690	510	80	105	410	M30 d=35	626	26	50	40 kg
LCD-A-100KNS9		690	510	80	105	430	M30 d=35	626	26	50	40 kg

Dimensions above are reference values and can be changed to user's specifications.