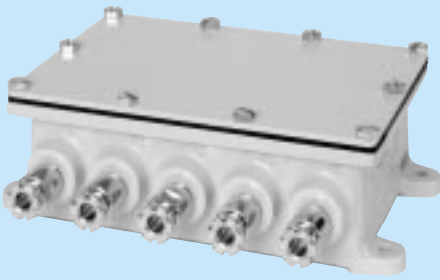


# SJB-C/D & JBS-C

## Junction Boxes



SJB-4D



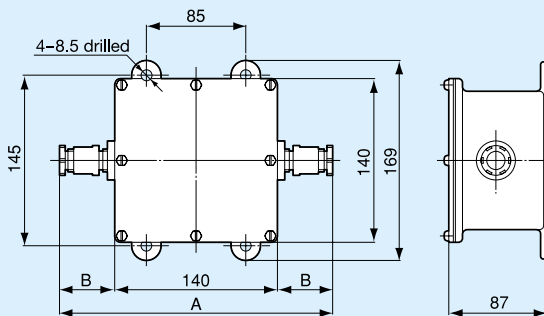
JBS-4C

A junction box is used when connecting a load cell and amplifier using an extension cable or when connecting cables of multiple load cells to an amplifier using a single cable for weighing a tank or hopper. The SJB-C/D are designed for general purpose and the JBS-C is for use under hazardous, explosive environment.

### Model

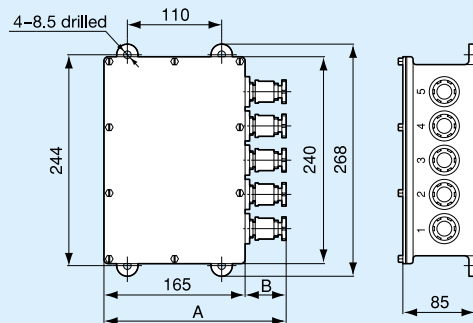
| Model  | Number of Connectable Load Cells | Applicable Cable Diameter | Remarks   |
|--------|----------------------------------|---------------------------|---|
| SJB-1C | 1                                | 10 to 11 mm (15C)         | 4-conductor (0.5 mm <sup>2</sup> ) shielded cable                 |
| SJB-4C | 4                                |                           |   |
| SJB-1D | 1                                | 7 to 8 mm (10B)           | 4-conductor (0.3 mm <sup>2</sup> ) shielded cable                 |
| SJB-4D | 4                                |                           |   |
| JBS-1C | 1                                | 10 to 11 mm as specified  | Pressure-resistant and explosionproof class, Ignition degree d2G4 |
| JBS-4C | 4                                |                           |   |

### SJB-1C/1D



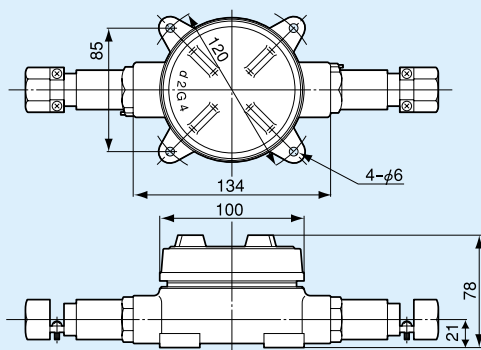
| Model  | A   | B  | Weight (Approx.) |
|--------|-----|----|------------------|
| SJB-1C | 234 | 47 | 2.3 kg           |
| SJB-1D | 226 | 43 | 2.2 kg           |

### SJB-4C/4D



| Model  | A   | B  | Weight (Approx.) |
|--------|-----|----|------------------|
| SJB-4C | 212 | 47 | 4.7 kg           |
| SJB-4D | 208 | 43 | 4.4 kg           |

### JBS-1C



### JBS-4C

